

Ordinary Operating Table

Operating Instruction

一、 Scope of Application

Operating Table is suitable for surgical clinic as well as for surgical, gynecology and obstetrics, and orthopedics operations. Various positions can be quickly and safely adjusted. It is characterized by economy and practicability. The table is especially favorable for extensive and towns hospital.

二、 Specifications & Main Technical Parameter

Dimensions of table top:

Overall Length	$\geq 2000\text{mm}$
Width	$480 \pm 20\text{mm}$
Height	$750 \pm 50\text{mm}$

Dimensions of Sections :

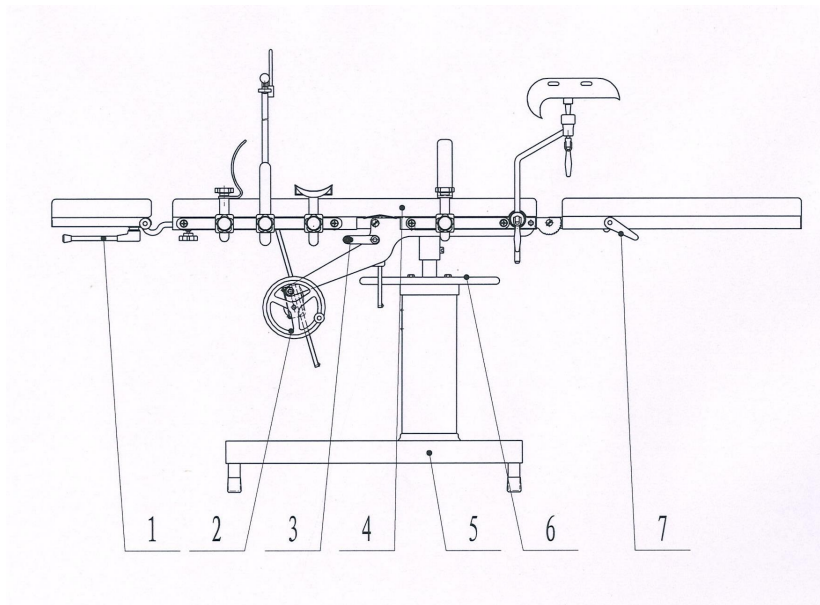
Head Section	$270 \times 380\text{mm}$
Back Section	$500 \times 480\text{mm}$
Kidney Bridge	$90 \times 420\text{mm}$
Seat Section	$370 \times 480\text{mm}$
Leg Section	$600 \times 480\text{mm}$

Adjustments of Sections:

Head Section Raised from the horizontal	45°
Head Section Lowered from the horizontal	90°
Back Section Raised from the horizontal	75°
Back Section Lowered from the horizontal	20°
Leg Section Lowered from the horizontal	90°
Kidney Bridge Elevation	$\geq 120\text{mm}$

三、 Structure

This table is made up of the table top, the table support. The table top is made up of the back section, the seat section, the leg section, the racks can make the back section and the leg section raised and lowered.



1.handle 2.Backboard handwheel 3.Waist plate handle 4.deck plate 5.lampstand 6.Lifting-handwheel 7.crank

四、 Accessories:

- 1、 Stand for anaesthetic-screen : 1 Pcs

Used for isolating the operation area during operating.

- 2、 Shoulder rest: 2 Pcs

Mounted on each side of the operating table according to support the shoulder so as to prevent body from moving backward, the distance between the two shoulder rests can be adjusted according.

- 3、 Arm rest: 2 Pcs

It can be mounted on either side of the table and used for intravenous drip and for measurement of blood pressure and pulse. Height and angle can be adjusted.

- 4、 Leg support: 2 Pcs

For support the legs during the operating. Position can be adjusted according to need.

- 5、 Mattress on the table top: 1 Suit

It includes three parts which one connected with each other buttons. It is made up of sponge covered with imitation leather, soft and comfortable, easy to use.

五、 Cautions:

Before putting into use, all attachments should be checked to see if they are locked securely so as to prevent them from loosing or sliding off while used.

Lubricating oil should be added to every active part , so that the bed can be operated easily and prolong their life. Smear Vaseline over the tracks of the accessories on each side of the bed and the racks under the table , thus preventing it from being rusty.

After operating every time, clean the dirt on the table, keep the table and accessories clean prolong their life.

As the table has many part, keep all the accessories in good order.

It must be repaired and kept clean regularly.