

ELECTRIC GYNECOLOGY BED

MODEL

OPERATION MANUAL

1、 Product description

The LGD electric delivery bed is used for general surgeries and gynecological examinations in obstetrics and gynecology.

The delivery bed is designed according to ergonomic principles and consists of a bed body (backboard, hip board), control part (foot switch) and accessories. All are driven by low-voltage DC motors, which are safe and reliable.

By adjusting the flipping angle of the back plate and hip plate, it can meet the multiple functions of obstetrics and gynecology, delivery, gynecological surgery, and examination and diagnosis.

2、 Technical parameters

Product dimensions and parameters are shown in Table 1 and Table 2.

Table 1 Basic dimensions

Size	Length	Width	Height	Lift distance
	1600±500mm	800±200mm	600±200mm	400±150mm

Note: H does not include the thickness of the table pad and is the height of the lowest position of the table.

Table 2 Basic parameters

Back panel folding angle	≥70°
Back panel fold angle	≥17°
Hip plate fold angle	≥35°
minimum height	500mm
Lifting Distance	≥420mm
Bed surface lifting speed	5mm/s

3、 Installation and usage

1 . Unpacking and acceptance

Open the wooden packaging box, loosen the nuts and bolts fixing the front and rear of the delivery bed bottom plate (see Figure 1), remove other fixing devices, lift the delivery bed using appropriate methods and place it on a preset flat floor.

Remove the air cushion film from the outer packaging of the delivery bed, open the accessory packaging carton, take out the packing list from the randomly packed information bag, and check them one by one according to the packing list. If you have any questions, please contact the dealer immediately.

2 . Tips on electric delivery bed products

In order to ensure that you can better use this product after purchasing it, our company hereby declares:

- 1) This model of electric delivery bed all uses fully enclosed direct push drives, low DC voltage, safe and maintenance-free.
- 2) Please turn off the power when you are off work or when the equipment is not in use.
- 3) The delivery bed must be used on an anti-static floor.
- 4) The mattress is made of polyurethane, which is one-time adsorbed and molded, with stable shape and anti-static properties.
- 5) Please read this instruction manual carefully before use.
- 6) Before using this product, please disinfect it according to the method in Section 13. Disinfection and Sterilization of this manual.

7) The packaging materials used in this product take into account the impact on the environment and can be 100% recycled: ★ wood, ★ steel, ★ polyethylene film bags, ★ polyethylene air cushion film

Please collect packaging materials and waste, sort them and send them to designated recycling stations.

8) For scrapping of this product at the end of its life, please classify and scrap the delivery bed in accordance with local health and epidemic prevention laws and regulations.

3 . normal working conditions

1. Ambient temperature: 5°C~40°C;
2. Relative humidity: ≤80%;
3. Atmospheric pressure: 700hPa~1060hPa;
4. Power supply voltage: AC220V±22V;
5. Power frequency: 50Hz±1Hz;
6. Input power: ≤300VA;
7. Internal power supply: DC24V±10%.
8. The class to which the equipment belongs: Class I;
9. Type of equipment: Type B;
10. Classification according to the degree of protection against liquid intrusion specified in GB4208: IPX4;
11. Power supply type of the equipment: single-phase powered by network power supply;
12. Equipment application part; Type B application part
13. The equipment does not have protection against the discharge effects of defibrillators;

14. The equipment does not have a signal output part;
15. The device does not have a signal input part;
16. The equipment is not permanently installed;
17. The equipment is not AP type or APG type;
18. Equipment operation mode: short-term loading and continuous operation;
19. Fuse: F3AL250V, Ø5×20;
20. Safe load: The safe load evenly distributed on the whole machine is 135kg;
21. Machine weight: 80kg.

4. Preparation before installation

1) electricity

The power supply must use a 220V (above 5A) socket according to the standard configuration, and cannot be used with other electrical appliances and instruments.

socket (see Figure 1).



2) Ground

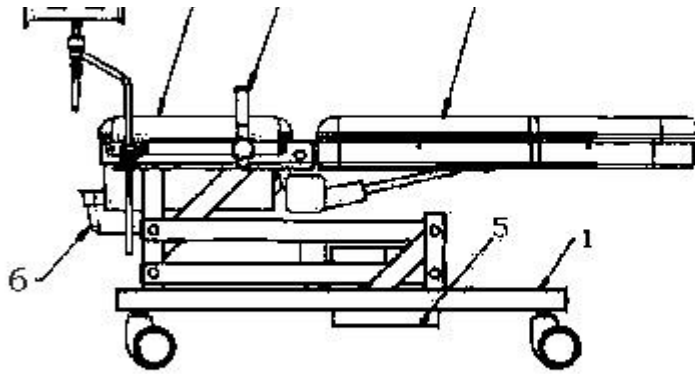
The ground must be connected reliably!

In order to prevent electric shock accidents caused by electric leakage, be sure to confirm that the socket is firmly and reliably grounded before installing and using the equipment. The ground cannot be connected to the following objects:

★Heating pipes, ★Gas pipes, ★Water pipes, ★Lightning rods, ★Telephone lines

3)

The names of various components of the electric device are shown in the figure below.



(Graphical representation 4)

1. Base 2. Seat Board 3. Handle 4. Back Board 5. Electric box 6. Basin

5. installation steps

Take out all the accessories from the accessory packaging box. Please refer to the packing list for details of the accessories and install them.

6. Adjust

- 1) Insert the power plug of the machine into the power outlet (see Figure 2).

4、Auxiliary power system

This delivery bed is equipped with an auxiliary power supply system. When the power supply fails or the power supply is suddenly interrupted, turn on the battery switch and switch to the internal auxiliary power supply to ensure the normal operation of the delivery bed. After turning off the main power switch, also turn off the battery switch.

When using the auxiliary power system, please be sure to pay attention to the following matters:

1. If there is any doubt about the integrity of the external protective conductor during installation or its wiring, please use the internal power supply.
2. Normally, the external power supply should be the main power supply, and the internal auxiliary power supply should be supplemented. After using the auxiliary power supply, attention should be paid to replenishing the internal battery in time to avoid affecting the next use and also to extend the service life of the internal battery.
3. The auxiliary power supply system will automatically replenish the internal battery when the external power supply is normal. During charging (the charging indicator light is on), it will automatically stop charging (the charging indicator light is off) when the battery is full.
4. Avoid using the internal auxiliary power supply in high temperature environments to avoid premature aging of the battery.
5. When using auxiliary power supply, please pay attention to "short-time loading" and not overload to avoid damage to the internal battery.
6. It is recommended to check the integrity of the internal power supply once a month (artificially cut off the external power supply and use the internal power supply system to load and run to check the integrity of the internal power supply system).
7. The auxiliary power supply can generally be used for 3 years. If you find that the running time of the auxiliary power supply is getting shorter and shorter during use, please purchase the auxiliary power supply from our company and replace it in time.
8. Technical personnel other than those confirmed by the manufacturer are not allowed to replace the internal battery to avoid accidents.
9. The internal battery specifications are: 2×12V/1.3Ah (the red end of the battery is the positive pole, and the black end is the negative pole).

5、Safety considerations

★Be sure to read the safety precautions carefully before use and use them correctly.

★ In order to use the equipment safely and prevent you and others from danger and damage, anticipate the problems that may occur during incorrect use and classify the degree of harm and damage. In short, please be sure to abide by the safety information.

1. Warning

Ignoring this warning and using it incorrectly may cause serious injury or even endanger life! Plug used alone:

Use a separate AC 220V (5A or more) socket. Using it with other instruments may cause abnormal local heating of the socket or even cause a fire.

Insert the power plug securely:

When inserting the plug into the power socket, it must be inserted completely, and make sure that it is in firm contact with the conductive contacts in the socket to prevent loosening or poor contact. Poor contact is very likely to cause equipment malfunction, malfunction, or even cause a fire.

Unplug the power when not in use for a long time:

When not in use for a long time, please turn off the power switch and unplug the power plug. Otherwise, it is easy to cause accidents or cause insulation to deteriorate and cause leakage and fire. Pay attention to damage to the power cord or power plug:

Do not use if the power cord or power plug is damaged or the plug is loose. Otherwise it may cause electric shock and fire. Unplug the power plug:

When unplugging the power plug, do not pull on the power cord. Please pull out by holding the top of the power plug. The power cord is easily damaged when pulling it by hand, which may cause electric shock and fire.

Ground must be connected securely:

The connection of the ground wire must be discussed with a professional. Please use a socket with a ground terminal. Failure to connect the ground wire may cause unstable operation of the equipment or electric shock due to current leakage.

Things to note when placing the delivery bed:

Before and during work on the delivery bed, please pay special attention to the fact that there are no obstacles such as human limbs, inspection or surgical instruments and tools around the area. When working on the delivery bed, pay attention to your surroundings:

The delivery bed must be placed smoothly and firmly on the ground. If it is tilted more than 5° to the ground when setting it up, the farrowing bed is prone to tipping. Things to note when moving on the delivery bed:

The patient should not lie or sit on the side when doing various exercises on the delivery bed, otherwise the patient may be pinched and injured. Except for qualified technical service personnel, this bed must not be disassembled or repaired:

It is easy to get an electric shock during disassembly and repair, or if the repair is incomplete, it may cause fire or abnormal movement, which may cause harm to the human body. Please do not rinse the delivery bed with water:

This bed is an electrical device, please do not wash it with water. Otherwise, accidents or electric shock may occur. Precautions when using high-frequency surgical equipment:

When using high-frequency surgical equipment, prevent the patient from contacting the metal parts of the delivery bed to avoid burns.

2、Precautions

- 1) Delivery bed operators must undergo professional training. The training content includes but is not limited to patient protection measures, usage methods, safe operating measures and protection methods for medical staff, etc.
- 2) Pay attention to the following matters when installing the delivery bed:
 - a. Install it in a moisture-proof place.
 - b. Avoid installing in places where the temperature and humidity are too high, the sun is strong, and there is a lot of dust.
 - c. Pay attention to keep the delivery bed in a safe state during tilt, vibration, and impact (including during transportation).
 - d. Avoid installing near chemicals, corrosives and gas.
 - e. Pay attention to the frequency of the power supply and the allowable current value (power consumption).
 - f. Connect the ground wire correctly and firmly.
 - g. Please provide concise instructions for the use of the delivery bed in emergency situations in a prominent location in the operating room.
- 3) Precautions before using the delivery bed:
 - a. Check the switch for good contact, polarity, etc., and confirm that the delivery bed can be used normally.
 - b. Make sure the ground wire is fully connected.
 - c. Make sure all wires are safe and connected correctly.
 - d. Use with other equipment may lead to incorrect diagnosis and cause danger, so please pay special attention.
 - e. Confirm that various removable accessories are installed securely.
 - f. When using the mattress, please do not have direct contact with the patient's body. It can be isolated with medical non-woven fabrics, etc.。
- 4) When using the delivery bed, please pay attention to the following matters:
 - a. Make absolutely sure to use the delivery bed when there are no abnormalities in the delivery bed and the patient.
 - b. When any abnormality is found in the delivery bed or the patient, appropriate measures should be taken to stop the delivery bed in order to ensure the safety of the patient.
 - c. Be careful not to let the patient touch the operating parts of the delivery bed.
 - d. Do not allow the patient to get on or off the delivery bed when the delivery bed is in motion.
 - e. Avoid installing and using the delivery bed in an environment with strong electromagnetic interference to avoid malfunction or malfunction of the delivery bed and causing accidents.
- 5) Pay attention to the following matters after using the delivery bed:
 - a. Place the back and hip boards of the delivery bed horizontally, move the bed to the innermost end and lower it to an appropriate height.
 - b. Cut off the power supply.
 - c. If you need to remove the power cord, you must pull out the plug part of the power cord, but not the power cord.
 - d. Arrange and store accessories, wires, etc. after cleaning.
 - e. The delivery bed must be cleaned and disinfected so that it can be used smoothly next time
- 6) When a fault is found, do not disassemble it casually and ask professionals to repair it.
- 7) To replace the fuse, you must first disconnect the power supply and replace it with a fuse of the same model (F3AL250V).
- 8) Do not modify the delivery bed.

- 9) The machine and exposed parts should be inspected and maintained regularly.
- 10) When using the machine again after not being used for a long time, you must confirm that the machine can operate safely and correctly before use.
- 11) Other daily precautions:
 - a. After a day's work, the power supply must be cut off.
 - b. All motors of this machine must be used intermittently and must be stopped for ten minutes after running continuously for two minutes.
 - c. The power switch must be operated by hand.
 - d. Do not place objects on the power cord and hand controller connection. Otherwise, it is easy to cause damage to the wires, short circuit, open circuit, electric shock and fire.
 - e. Please pay special attention not to step on the wrong foot switch pedal during operation.
 - f. When replacing the cover cloth, be sure to cut off the power supply first.
 - g. The safe service life is ten years. All waste should be disposed of in accordance with the relevant laws and regulations of the user's location to avoid polluting the environment

6、 Disinfection and sterilization

warn:

1 Please observe applicable safety precautions:

1 Carefully read the safe use specifications of each cleaning agent and disinfectant;

1 Carefully read the user manual of the disinfection equipment used;

1 Make sure to wear necessary safety protective gloves, masks and glasses;

1 The equipment has been strictly cleaned and effectively packaged before leaving the factory, but contamination will inevitably occur during transportation, so the equipment should also be cleaned and disinfected before first use.

Cleaning and disinfection of the external surface of the equipment host:

Use a soft rag moistened with a common water-soluble disinfectant and use the rag to clean the equipment surface. Disinfectants are prepared according to the manufacturer's instructions. When cleaning, be sure to prevent disinfectant from entering the interior of the machine.

Notice:

Never use organic, halogenated or petroleum-based solvents, anesthetics, or glass cleaners;

Never use abrasive cleaning agents;

Place all liquid containers away from electronic components;

Do not allow liquid to flow into the equipment casing. Notice:

All reusable accessories must be inspected to ensure they are intact and not damaged before use;

Disposable consumables (such as disposable sheets, etc.) must not be reused.

Warning: After using this equipment, clean it with disinfectant alcohol to prevent cross-infection of patients, and disinfect it with ultraviolet light once a day

7、 Packing list

Item	Name	Unit	Quantity	Mark
Main Machine	LGD-01 Electric Gynecology Bed	Set	1	
Controller	Hand and foot controller	Set	1	
Electric Line	Electric Line	Pc	1	Length: 3m, I: 10A

7、Maintenance

1. Be sure to turn off the power during cleaning, disinfection, maintenance and upkeep.
2. If the power plug and foot switch plug come into contact with water, it may cause malfunction or even electric shock. Please wipe it with a dry and soft cloth.
3. Exposed metal parts will rust when exposed to water. Please wipe them with a dry and soft cloth.
4. Please wipe plastic, leather and other painted parts with a dry and soft cloth.
5. For stains and oil stains, use a cloth soaked in neutral detergent diluted in water, wring it out and wipe it clean.
6. Do not use banana water, gasoline, kerosene and other volatile chemical solvents and abrasive wax, sponges, brushes, etc.
7. The delivery bed can be disinfected by ultraviolet irradiation or formalin fumigation

8、Transportation and storage

Transportation and storage conditions:

- a) Ambient temperature: -40°C~55°C; b) Relative humidity: ≤95%;
- c) Atmospheric pressure: 500hPa~1060hPa

9、After sale service

1. Please keep the accompanying information and invoices of this equipment properly. These information will be required when our company performs warranty and maintenance on the equipment.
2. Please fill out the "User Information Feedback Card" in detail according to the requirements on the card and send it to our company so that our company can communicate with you in a timely manner and provide you with accurate and fast technical support and maintenance services.
3. From the date of sale of this product, if any failure or damage occurs due to correct installation and use according to the instructions, you can enjoy one-year free warranty and lifetime maintenance services with the "Product Warranty Card" and invoice.
4. When the machine fails, please cut off the power immediately, unplug the power plug, and contact the dealer or manufacturer.
5. Non-professional maintenance personnel should not repair or modify by themselves to avoid danger.