

# **Electric Obstetrics Bed**

## **Operating Instruction**

## 1. GENERAL DESCRIPTION

Electric Obstetrics Bed is designed for women's parturition and other Parturition surgeries.

## 2. SPECIFICATIONS

### Dimensions of Table Top:

Overall length, 1900mm

Width, 600mm

### Table Top from Floor:

Max. Height,  $\leq 1000\text{mm}$

Min. Height,  $\geq 750\text{mm}$

### Adjustments of Sections:

Trendelenburg,  $\geq 15^\circ$

Reversed Trendelenburg,  $\geq 15^\circ$

### Dimensions of Sections:

Back section raised from the horizon,  $\geq 60^\circ$

The leg board (auxiliary table) can be hidden under the seat section.

## 3. MAIN PARAMETERS

Power voltage : AC230V $\pm 10\%$ ;

Power frequency: 50Hz $\pm 1\text{Hz}$ ;

Input power :  $\leq 200\text{VA}$ ;

Category): Class I, Type B applied part, IPX4;

Operating pattern: Short-term continuous working;

Fuses : T2L250V, 5 $\times$ 20;

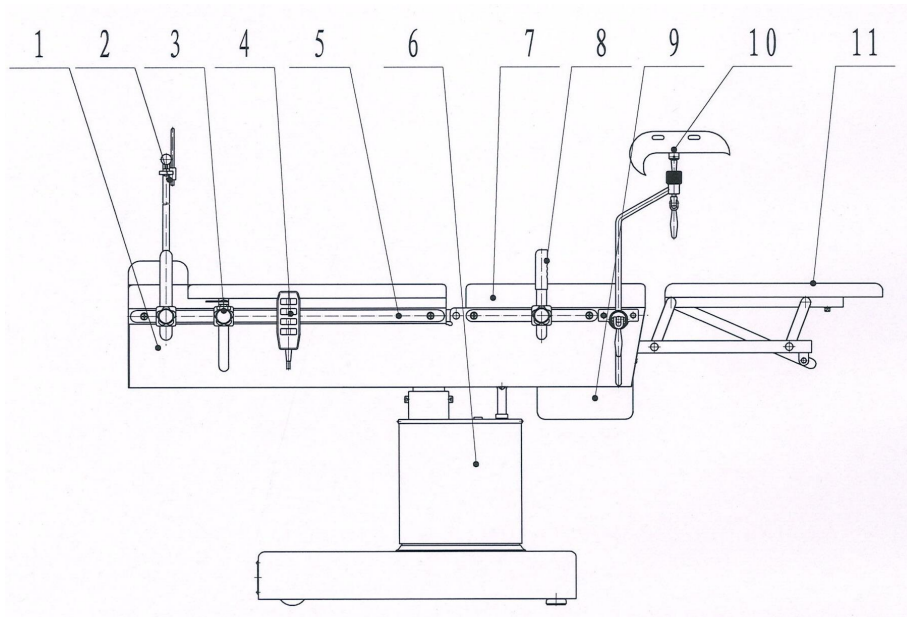
The instrument cannot be used under the following circumstances: flammable anesthetic gas mixed with air, flammable anesthetic gas mixed with oxygen and flammable anesthetic gas mixed with nitrous oxide.

The instrument doesn't have the influence on protecting the instrument from discharge effects. You cannot hold the belief that you could use the instrument lifelong once you have installed it, that is, you may install it several times lifelong. This instrument doesn't have the function of signal input and output.

Circumstances for transportation and storage: a room without corrosive substances, temperature: -40 $^\circ\text{C}$ ~+55 $^\circ\text{C}$ , humidity:  $\leq 95\%$ , atmospheric pressure: 50.0kPa~106.0kPa

## 4. STRUCTURE

Mainly consists of the table top, the leg board ( auxiliary table ), the base which can move up and down, the controlling part, and accessories, etc. The up and down motion, the back and forth motion of the table and the adjustment of the back section are motivated by the buttons and the electric putter. Please follow picture 1 to learn about the structure.



1 table-top floor 2 stand-screen for anesthesia 3 arm rest 4 hand-held manipulator 5 back board

6 base part for up and down motion 7 seat board 8 knob 9 dirt-collecting basin 10 leg support 11 leg board

Figure 1: Electric Obstetrics Bed Structure

Consists of the back section, the seat section and the leg board (auxiliary table), etc. The back section could be raised from horizon motivated by electric putter; the leg board (auxiliary table) can be hidden under the seat section, convenient for gynecological examination.

The base which can move up and down includes the device for moving forward and backward, column for up and down motion and the base section. The forward and backward device is controlled by electric putter which motivates the rotation frame. The column for up and down motion is related with the height adjustment of the table top.

The controlling device consists of controller, hand-held manipulator, electric putter. The putter is motivated by the controller to change 220V AC to 24V DC. If the power is off or there is something wrong with the power, the battery will provide the electricity at times.

## 5. OPERATING INSTRUCTIONS

The ascending and descending motion, the back and forth movements and the folding of the back section are motivated by buttons and electric putter. There is a hand-held manipulator and the buttons are point-acting. When you press the corresponding button, the electric putter will move correspondently and the movement will stop once you release the button.

1) The Electric Obstetrics Bed can be put into use when you set the power plug, turn on the power switch and wait until the power indicator starts to work. There is battery with to provide the electricity when the power is off or there is something wrong with the power.

2) When the table needs ascending or descending moving, the back and forth motion and the folding of the back section, you should press the corresponding button of the hand-held manipulator.

3) Step the brake pedal when you want to move the table and step the brake pedal in the reverse direction when the table reaches the appropriate position.

4) Fuses change: After you set the plug and turn on the power switch under normal power, the power indicator cannot work, please check the fuse (located at the bottom of the Electric Obstetrics Bed). If there is something wrong with the table, seek for the answer and change the corresponding part. Cut off the power when you change the fuses, counterclockwise to loose the top of the fuses with tools, then put on the fuses of the same specification and clockwise to fasten the top at last.

5) Battery change: the workman should open the outer cover, remove the inner cover and the base shield. Then take down the top cover with the battery label (as picture 3 shows), change into a sealed lead-acid battery of the same specification and reset other parts after ensuring the safety of the operation.

## 6. ACCESSORIES

Sequence	Name	Quantity
1	Stand-screen for anesthesia	1
2	Shoulder support	2
3	Handle	2
4	Arm rest	2
5	Leg support	2
6	Mattress	1

## 7. CAUTIONS

1) Please read 《operation instructions》 carefully before using to ensure the safety of the operation.

2) The power should be provided by three-hole socket available to connect with the ground. Make sure the metal cover can work and connect with the ground very well. If there is something wrong when installing wires of the external protective conductor, the energy must be provided by the inner power.

3) The equipment should be put far away from anything with strong radiation to prevent the instrument from electromagnetic interference.

4) When the power has been connected and the indicator is working, the controller will charge the battery automatically. When the power is off or there is something wrong with the power, the controller will change the energy source to the battery automatically. When the battery could not provide enough energy or there is something wrong with the battery, the controller will alarm automatically and you should charge the battery by connecting the power or change into a new battery of the same specification.

5) Deal with all rubbish according to the local laws and regulations to protect the environment.

6) Before putting into use, lock all the handles to prevent them from loosing or sliding off.

7) The adjustment is controlled by hand-held manipulator and you can only adjust one section every time. When the equipment is still moving because the manipulator has lost the control, please turn off the power switch or take off the power plug to cut off the power to prevent the danger. If the equipment works with abnormal noise, please find out the reason and reuse it after settle the error.

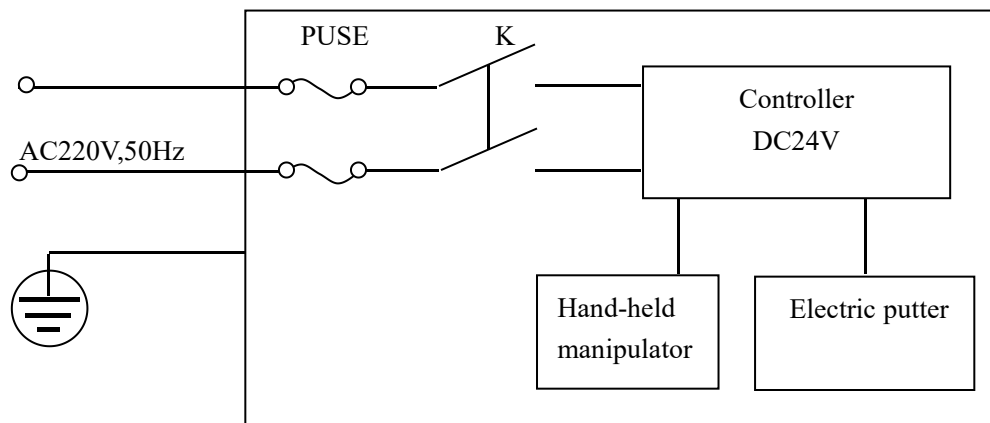
8) Clean the dirt in time after using. You can use soft cloth with neutral detergent to clean the cushions and accessories so that the table could be kept clean. You also need to keep the operation table

in the horizontal level. Cleanse the operation room in usual ways.

9) Do not crush or step on the wires and controlling line so that the insulation part can not be damaged.

10) Check the property every year. Check the safety of the transmission device, connecting parts and accessories and contact with our company in time once there is something wrong.

## 8. DIAGRAM FOR ELRCTRICAL PRINCIPLES



**Statement: We can provide electrical principles, electrical components list, diagrams, correction details according to our customers' desire so that the technician of our customer can repair our operation table by themselves.**