

# **Multi-purpose Operating Table**

**Operating Instruction**

# 1 Scope of Application

This operating table is designed for clinical experience.

# 2 General Description

The up and down motion of the table is controlled by hydraulic system with oil pump. It is well-designed with stable structure. It is suitable for surgical procedures of head, neck, thorax, abdomen, perineum and extremities as well as for gynecological, obstetrical, urological and oto-rhino-laryngological operations. All the adjustments are convenient, safe and speedy.

# 3 Structure Description

The controlling devices, hand wheels and crank handles are mounted on both sides of the table. Various positions of the table can be controlled from either side.

# 4 Specifications

## Dimensions of Table Top

Overall length, 2050mm    Width, 480mm

## Table Top from Floor

Max Height,  $\geq 1030\text{mm}$     Min Height,  $\geq 780\text{mm}$

## Range of Movements

Max Reversed Trendelenburg,  $\geq 30^\circ$     Max Trendelenburg,  $\geq 20^\circ$

Max Lateral Tilt,  $\geq 20^\circ$

## Adjustments of Sections

Head-Rest raised from the horizon,  $\geq 45^\circ$

Head-Rest lowered from the horizon,  $\geq 90^\circ$

Back-Section raised from the horizon,  $\geq 75^\circ$

Back-Section lowered from the horizon,  $\geq 20^\circ$

Kidney Bridge Elevation,  $\geq 120\text{mm}$

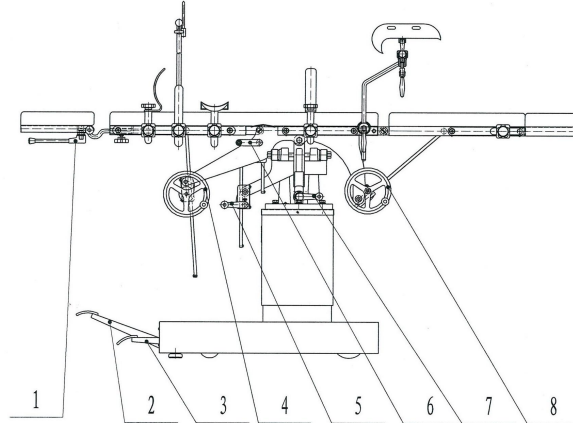
Leg-Section lowered from the horizontal,  $\geq 90^\circ$

Foot-Rest can be kept horizontal or perpendicular to the Leg Section.

# 5 Controlling Devices of Side Controlled Table

- 1) Hand Wheel(4) and Hand wheel (8) are mounted on the left side and the right side of the table for adjusting the back section and the leg section respectively from either side of the table.
- 2) On the right side of the table, Crank Handle (7) is used for lateral tilt in left or right direction, and Crank Handle (6) is employed for adjustment of the waist part.
- 3) Crank Handle (5) located on the right side of the table, is used to control the table to move back and forth. It is detachable and can be mounted on the left side.
- 4) Both the ascending and descending movements of the table top are controlled by the oil pump. When the products leave the factory, the oil in the oil pump has been put into the pail, so the oil pump can not ascend. The consumers must put the oil from the pail into the oil pump through funnel (after putting the oil, the customer can take out the oil tube and funnel). The ascending movement of the board can be realized by repeatedly stepping on pump pedal (2) . The table top can elevate and will stop automatically when reaching the maximum height. When the pedal is pressed down to its lowest position, the table top will begin to descend slowly and gently.

- 5) There are swivel castors on the base plate, convenient to move. The table is controlled by the floor institution and its fixation and movement are controlled by the same pedal (3). When the pedal is pressed down, the swivel castors lay down motivating the base plate to rise then the table can be moved. Relax the pedal, the table will be set stable on the floor.



1 handle 2 pedal of oil pump 3 pedal for moving 4 hand-wheel A 5 crank A 6 crank B 7 crank C 8 hand-wheel B

## 6 Accessories

Accessories	Pc (s)
Anesthetic Screen	1
Shoulder Rest	2
Arm Support	2
Body Support, Large	1
Body Support, Small	1
Leg support	2
Cushion	1

## 7 Cautions

- ① The Head-rest adjustment is adjusted by locking screws and nuts. If the customer went adjust the head part, he must loose the corresponding handle nuts first then lock the nuts at the proper position.
- ② The patient gets in and out of the bed from the column seat, and it is strictly forbidden to get in and out of the bed from the legs.
- ③ Lubricating oil should be added regularly, so that the bed can be operated easily and flexibly, prolonging its life. Smear Vaseline over the tracks of the accessories on each side of the bed and the racks under the table, thus preventing it from being rusty.
- ④ Before putting into use, check all attachments to see if they have been locked securely so as to prevent them from loosing or sliding off while used.
- ⑤ As the bed has many parts, keep all the accessories in good order.
- ⑥ After operating every time, clean the dirt on the bed and keep the bed and accessories clean to prolong their life.
- ⑦ The ground must be kept dry. While washing the floor, please try not to make water spill into the base plate or on the casters, thus preventing them from being rusty.
- ⑧ Check the property regularly once a year.