

Orthopedic Traction Frame

Operation Instruction

Orthopedic Traction Frame

1、 General Description:

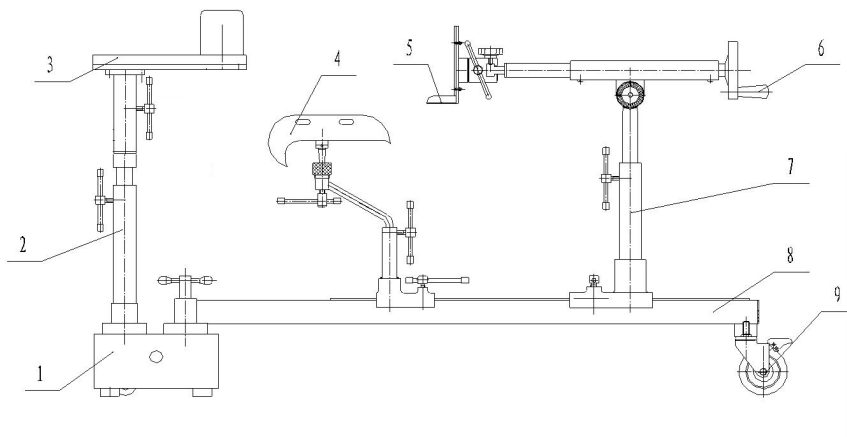
This frame can combination use with various operating tables, for example, head-controlled. Multi-purpose Operating Table, Side-controlled Multi-purpose operating Table, Ordinary Operating Table, etc. It is mainly used for surgical operation of lower limbs. It can be adjusted for different positions.

2、 Main Technical Parameters:

Two Traction Frame Pipes Opened.....	$\geq 60^\circ$
Traction Seat Displacement.....	$\geq 600\text{mm}$
Traction Distance.....	$\geq 200\text{mm}$
Range of Height.....	800~1000mm

3、 Accessories:

While being used, the leg section of the must be lowered to 90° ,close each other, the pipes and the base of the traction frame be closed, adjust height of the hip section same as the operating table, then it can be used.



- 1) Base 2) Lifting and Falling Vertical Column(A) 3) Hip Section 4) Leg Support 5) Specially-made Leather Boots 6) Leg Adjustment Handle 7) Lifting and Falling Vertical Column(B) 8)Traction Frame Base Beam 9)Rolling Wheel

4、 Cautions:

- 1) Lubricating oil should be added to every active part regularly to make it operate easily and prolong its life. Smear Vaseline to the sliding tracks and other electroplated parts to prevent them from being rusty.
- 2) After operating every time, clean the dirt on the bed, keep the table clean and prolong its life.
- 3) The ground must be kept dry. When washing the ground, please try not to make water spill into the wheels to prevent them from being rusty.
- 4) It must be repaired and kept clean regularly, once every year.