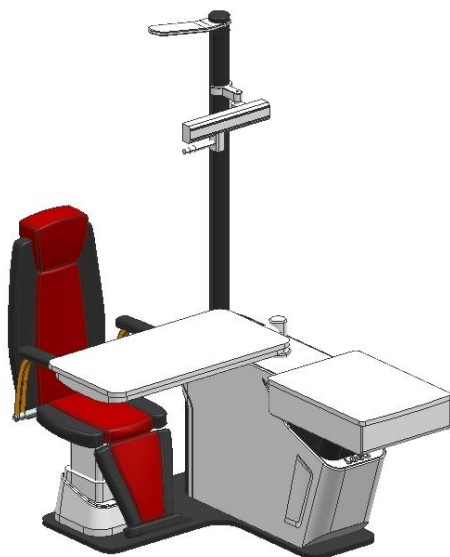


# USER MANUAL

## Chair & Stand Unit



Due to the upgrade of the later version, the picture is only for reference, and the actual item shall prevail.

## **PREFACE**

### **I .Introduction:**

Combined Table is a precision instrument which could be used together with Auto Refractometer, Phoropter, Slit Lamp and Chart Projector. It makes the whole system work more conveniently and accurately. Electric chair can smoothly lift up and down, forward and backward with low noise,also make it more convenient to operate.Electric moving the swing arm up and down, left and right, it also can better adapt to the patient's different directions, different heights and other factors.The worktable can be provided with 90 degrees' rotation, and can slide left and right electric, more convenient to switch the different instruments.This instrument can also be wirelessly connected with tablet(Objects are connected to each other), allowing optometrists to experience true full-automatic, touch-free combination refraction.

### **II.Safety:**

#### **1. The use of environment and Notes**

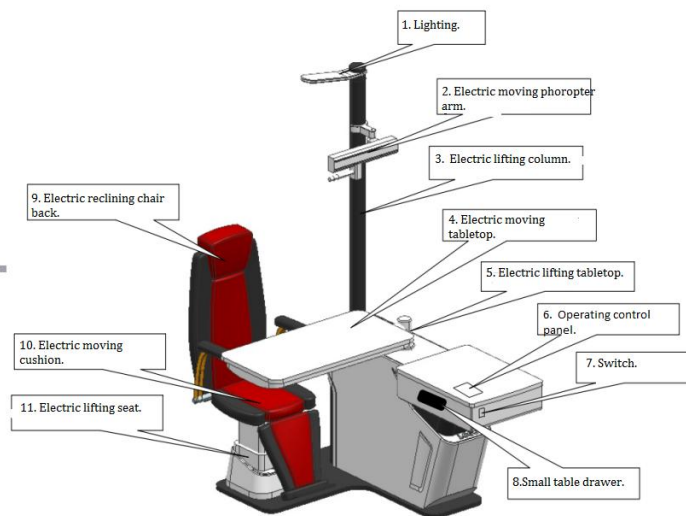
- 1) Read and understand all instructions.
- 2) Operation should accord to the fuselage warnings and instructions.
- 3) Please do not place or use the equipment near water, do not use or place the equipment in wet areas.
- 4) Keep the instrument on smooth ground. Otherwise, the falling of the unit can cause serious damage or injuries.
- 5) For safety, the machine has ground plug. If you have no such outlet, please install. Do not use the adapter; otherwise, it will cause abolition of the security features.
- 6) When equipment is installed, please check the installation correctly, and then access the total power, cut off the power for a long time of stop using.
- 7) When cleaning the equipment, please unplug the power cord of the machine. Use a wet cloth to clean, access to power supply when fully dry. (Do not clean the inside part)
- 8) When there is failure or abnormal phenomenon during the use of this instrument, please cut off the power immediately and contact us, do not maintain personally.
- 9) According to the principle of this product, work methods and features, no need to do disinfection and radiation protection.

## Contents

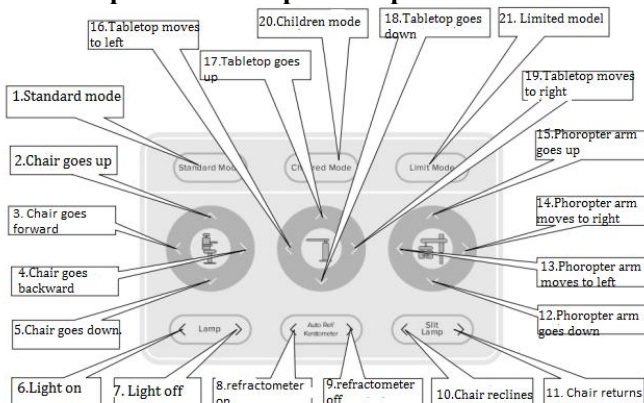
<b>I .Product Introduction</b> .....	3
<b>1.Main Engine</b> .....	3
<b>2.Detailed explanation of Operation panel</b> .....	3
<b>II .Instruction</b> .....	4
<b>1.Installation</b> .....	4
<b>2.Adjustment</b> .....	8
<b>3.Testing and Operating</b> .....	8
<b>III.Maintenance</b> .....	9
<b>1. Daily maintenance</b> .....	9
<b>2. Replacing accessories</b> .....	9
<b>3. Cleaning</b> .....	9
<b>4. Notes of moving machine</b> .....	9
<b>5. Service</b> .....	9
<b>IV. Malfunction and Exclusion</b> .....	9
<b>1. The specifications of fuses:</b> .....	9
<b>2. The method of changing fuses</b> .....	9
<b>V.Specifications</b> .....	10

# I .Product Introduction

## 1.Main Engine



## 2. Detailed explanation of Operation panel



## II. Instruction

### 1. Installation

(Please ensure: 4M×W 4M×3M above the installation space)

Installation steps:

- ① Use a Phillips screwdriver to remove the 1M×1600M×900M wooden box Square fixing screws, open the lid of the wooden box;
  - ② Remove the packaging material and remove the accessories (pillars, countertops, backs);
  - ③ Use a wrench to remove the screws securing the plate;
  - ④ Remove the host from the pallet; (see Figure 1)
- (Note: Do not move the cabinet countertops)

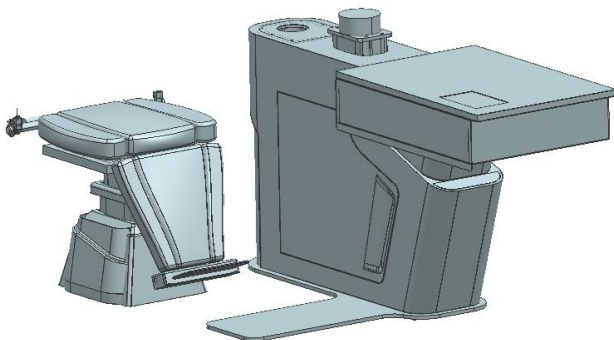


Figure 1

⑤The installation of the chair: The two sets of holes in the chair and the chair frame correspond one by one, Secure with screws; (see Figure 2)

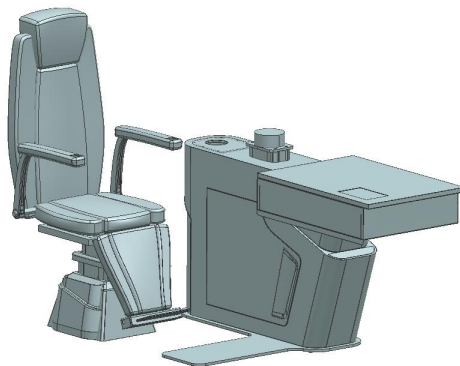


Figure 2

⑥The motor push rod and the back support rod of the chair are firmly connected by an 8mm pin, and the two core aviation plugs are firmly connected at both ends (the chair is at one end and the cabinet is at one end) (such as a physical map);



⑦Swing arm support rod installation: first install the post fixing plate on the square inner profile bracket (note the direction) with 4 screws, then connect the wire connector correctly (like the physical map), and organize the connection line OK, finally restore the cabinet cover; (see Figure 3)

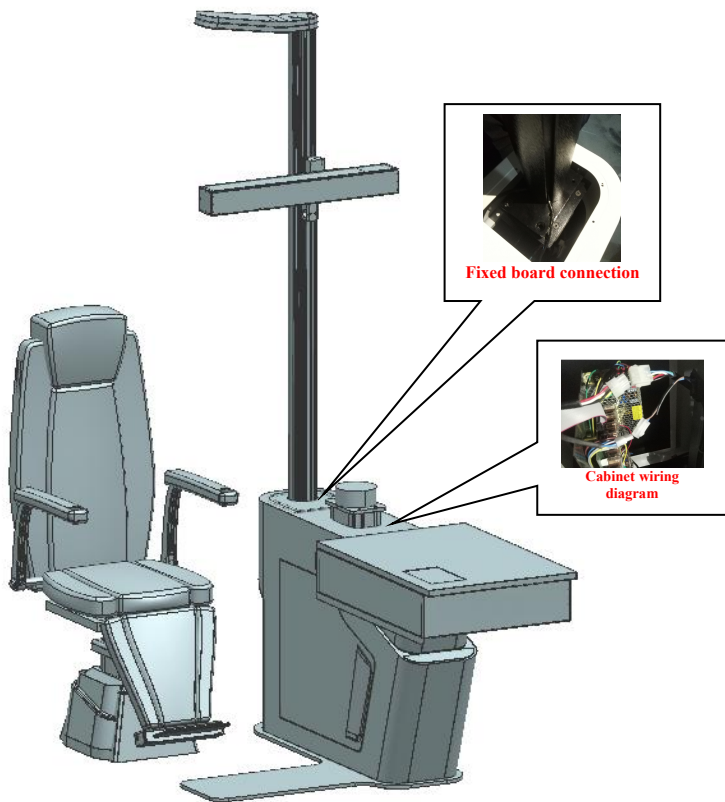


Figure 3

⑧Connect the mesa, connect the 8-pin aviation plug securely (and lock it), and then connect the four M8 screws of the mesa skeleton to the cabinet flange (the mesa connects to the cabinet 90° direction) (see Figure 4).

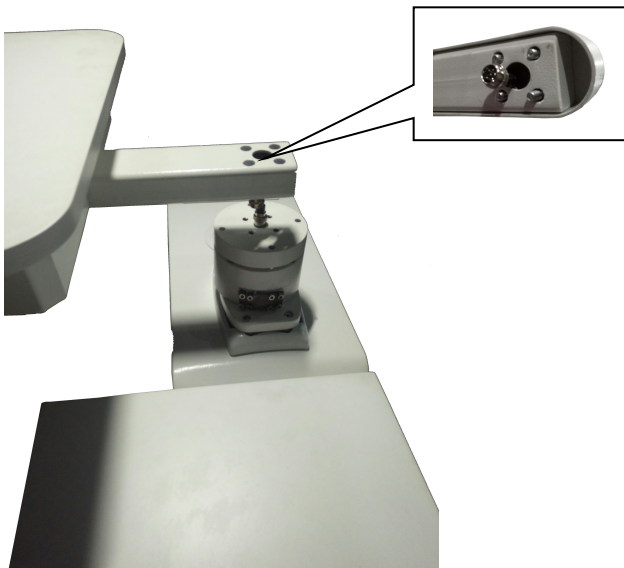


Figure 4

⑨The final basic assembly complete reference shape, see Figure 5.

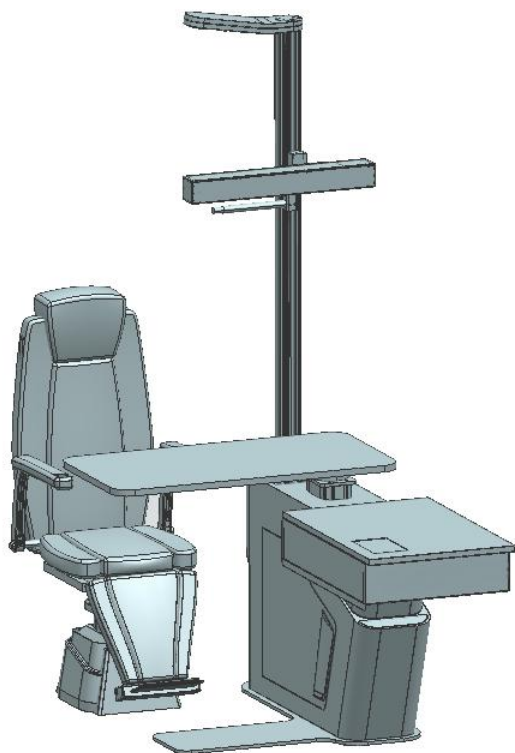


Figure 5

## 2. Adjustment

- (1) Check if the main engine is placed stable
- (2) Turn the power switch, power indicator light lights
- (3) Table rotation smoothly and flexibly and sliding (total range is 90 degrees)
- (4) Arm swings and rotates smoothly, and quietly, stable.
- (5) Check if the chair is steady, turn on the power switch of chair, it can up and down smoothly and quietly.
- (6) Turn on the light and it can work normally.
- (7) Check whether the refractometer socket and USB charging socket are normal.
- (8) Check if the power socket for Slit Lamp, Keratometer and Auto Refractometer is ok.

## 3. Testing and Operating

- (1) Turn the counterclockwise 90 degrees counterclockwise. The examinee can conveniently sit on the chair. (Or to raise the armrest of the chair, the person under test may also sit on the chair);
- (2) Rotate the counterclockwise 90 degrees to the person inspected, you can use Optometrists returned to their original position after use;
- (3) Electrically move the swing arm, place the comprehensive refractometer in front of the examiner, use the chair  
The lift switch adjusts the chair to a suitable height for the comprehensive refractometer check. After use, swing the arm back to its original position;
- (4) The electric seat lifts back and forth, and the subject is required to weigh between 10Kg and 200Kg. In the range, seated on the seat, the seat can be smoothly raised and lowered, before and after Move, retreat back (select the structure of mobile pulley accessories under the seat);
- (5) seat armrests due to the use of a special mechanical structure design, it is recommended not to be tested  
To press down blindly (armrests bear about 50Kg);
- (6) Turn the counterclockwise 90 degrees, press the chair down button, lower the chair lift The lowest position to allow the examinee to leave the combination platform.
- (7) Turn off the power switch. If you do not use it for a long time, unplug the power cord.

### III. Maintenance

#### 1. Daily maintenance

If you don't use equipment frequently, turn off the power switch. Check Power line regularly, if it's damage or aging.

#### 2. Replacing accessories

There is no need to replace consumables frequently, when abnormal situation occurs, such as fuse burns, replace the appropriate fuse type

#### 3. Cleaning

When cleaning the equipment, please unplug the power cord of the machine. Use a wet cloth to clean, access to power supply when fully dry. (Do not clean the inside part) Do not clean the power outlet with wet cloth.

#### 4. Notes of moving machine

Please pull out the power plug when moving the unit, ensure that all power is cut off. Other equipments shall be removed to ensure that no parts will fall down. Protect wires been not broken when moving.

#### 5. Service

If anything abnormal during use, first cut off the machine power, then telephone sales company or service points for consultation

### IV. Malfunction and Exclusion

#### 1.The specifications of fuses:

A.Power Supply:AC220V/110V Input fuses: F3A (5×20) mm 2pcs

B.Power Supply of Chair DC24V: F6A (5×20) mm 1pc

C.External Socket AC220V: F2A (5×20) mm 1pc

#### 2.The method of changing fuses:

A. Switch off power supply, Unplug the power cord;

B.Take off the fuses by removing the fuse cap with a screwdriver;

C.Put the same size fuse, revolve the fuse hat clockwise, replace the fuse.

## V. Specification:

Products Features:

A. Class: class I

B. Type: B-

C. Equipment belongs to common type

D. Equipment doesn't belong to type AP or APG

E. Equipment operation: continuous operation

F. Non-permanent equipment (mobile device)

Unit size: 1190\*1055\*1850mm

Table Size: 890\*405mm

Table rotation range: 90°

Swing arm swing angle:  $\pm 35^\circ$

Table movable range: 335mm

Swing arm oscillation angle:  $+35^\circ$

Chair rotation range: 60°

Chair up and down range: 540-690mm

Chair loading ability: 200-250kg

Chair backrest obliquity: 160°

Lamp: LED (24V, 3W)

Electric Voltage: AC220V/110V 50/60HZ

Weight: 220kg